



3% WALL-MOUNT HUMIDITY TRANSMITTERS MODEL HW10K

DESCRIPTION

Model HW10K Wall-Mount Humidity Transmitters are used in HVAC/BAS applications. These units measure humidity from 0% to 100% RH and temperature (optional) from 32° to 158°F (0° to 70°C). **Model HW10K** utilizes the completely interchangeable INTERCAP sensing element for fast response and long-term stability. The interchangeable feature of the **Model HW10K** means field service is accomplished quickly and simply with no calibration ever required.

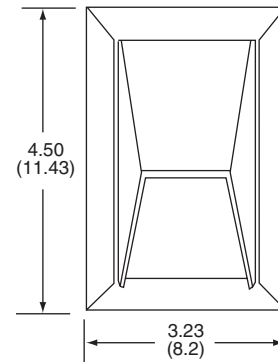
FEATURES

- 0% to 100% RH measurement
- ±3% accuracy (0% to 90% RH)
- State-of-the-art RH sensor technology
- Completely interchangeable RH sensors
- No calibration required
- Two-wire, 4-20 mA output
- Excellent long-term stability
- Continuous measurement
- Executive decorator style enclosure with tan faceplate
- Optional thermistor temperature sensor



DIMENSIONS

in
(cm)



SPECIFICATIONS

Input voltage	24 VDC ± 20%	Response time	90% in 5 sec
Output signal	4-20 mA (500Ω max load)	Measuring range	0% to 100% RH (noncondensing)
Output range	0% to 100% RH	Temp operating range	24° to 132°F (-5° to 55°C)
Electrical connections	Screw terminals (AWG 20 through 16)	Optional temp sensor	
Sensor	INTERCAP, plug-in, capacitive (no reference calibration required)	Range	32° to 158°F (0° to 70°C)
Sensor protection	0.5 micron membrane filter	Accuracy	±0.36°F (±0.2°C) (accuracy of the 100,000Ω T27 option is ±1.3°F)
Accuracy @ 20°C	±3% @ 0% to 90% RH ±4% @ 90% to 100% RH	Stability	±0.24°F (±0.13°C) over 5 years
Stability	±1% RH/year	Weight	0.18 lb (0.08 kg)
Temp coefficient	±0.04% RH/°C (temperature compensated)		

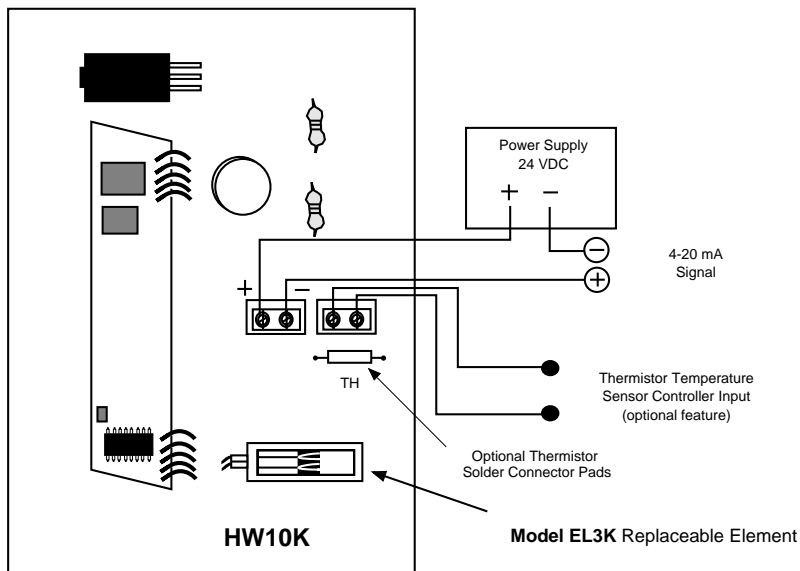


3% WALL-MOUNT HUMIDITY TRANSMITTERS MODEL HW10K

MOUNTING

The **HW10K** is designed to be wall mounted in rooms where appearance is important. It may be mounted directly on dry wall or on any single-gang electrical outlet box with no adapters required. Toggle bolts or other direct wall-mount screws can be used where conduit is not required. It includes a detachable mounting plate. The cover is secured with tamper-resistant hex screws.

WIRING



ORDERING INFORMATION

MODEL	DESCRIPTION
HW10K	3% Wall-Mount Humidity Transmitter, 4-20 mA Output
OPTIONS	
--	No temperature sensor
T3	10,000Ω Thermistor @ 77°F (25°C), type III
T21	2252Ω Thermistor @ 77°F (25°C), type II
T22	3000Ω Thermistor @ 77°F (25°C), type II
T24	10,000Ω Thermistor @ 77°F (25°C), type II
T27	100,000Ω Thermistor @ 77°F (25°C), type II
T42	20,000Ω Thermistor @ 77°F (25°C), type IV
T81	100Ω 385 Platinum RTD
T85	1000Ω 385 Platinum RTD
T91	1000Ω 375 Platinum RTD

HW10K — T3 **Example: HW10K-T3** Wall-mount humidity transmitter with 10,000Ω, type III temperature sensor

RELATED PRODUCT

EL3K Replaceable humidity element